

# CATALOG NO.: R31FXXXEBX2XXXSNS1A8

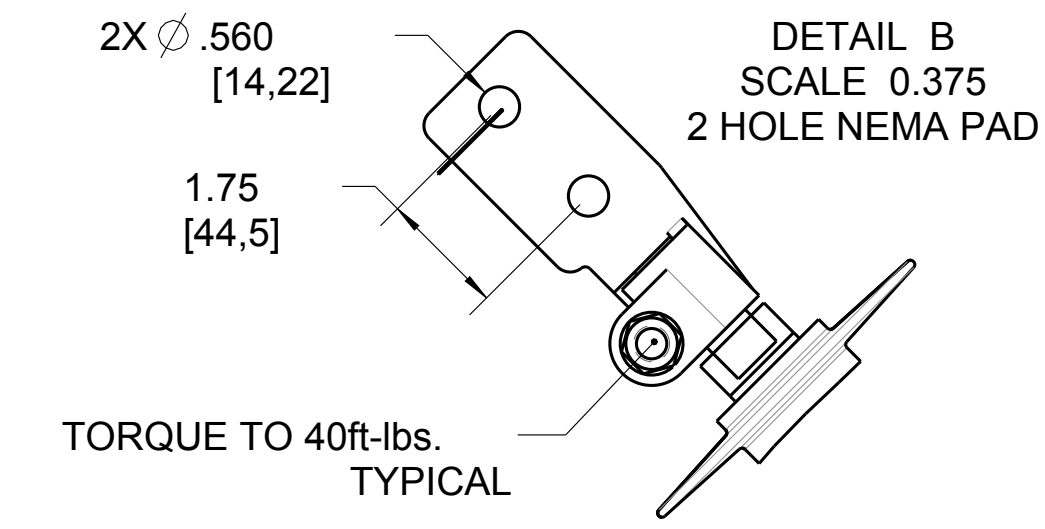
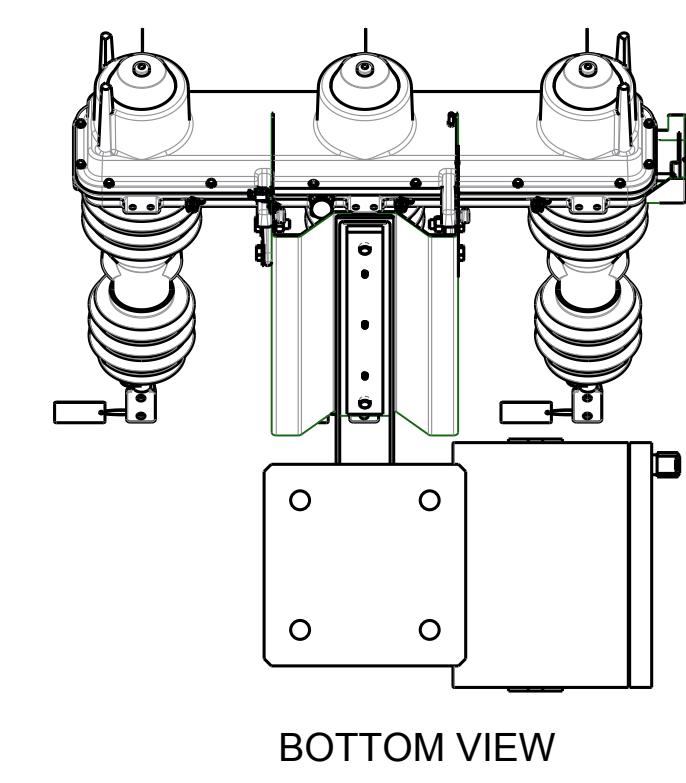
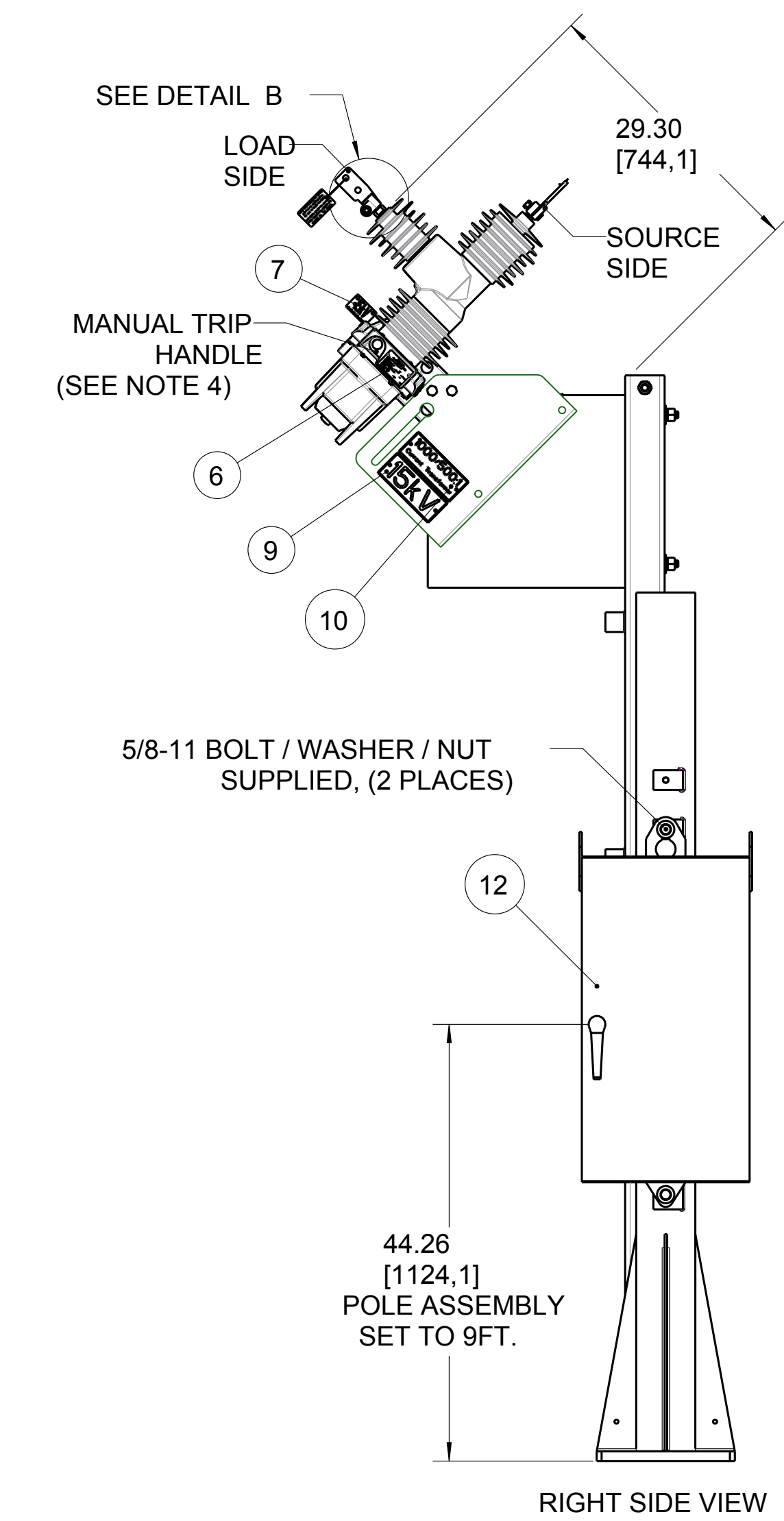
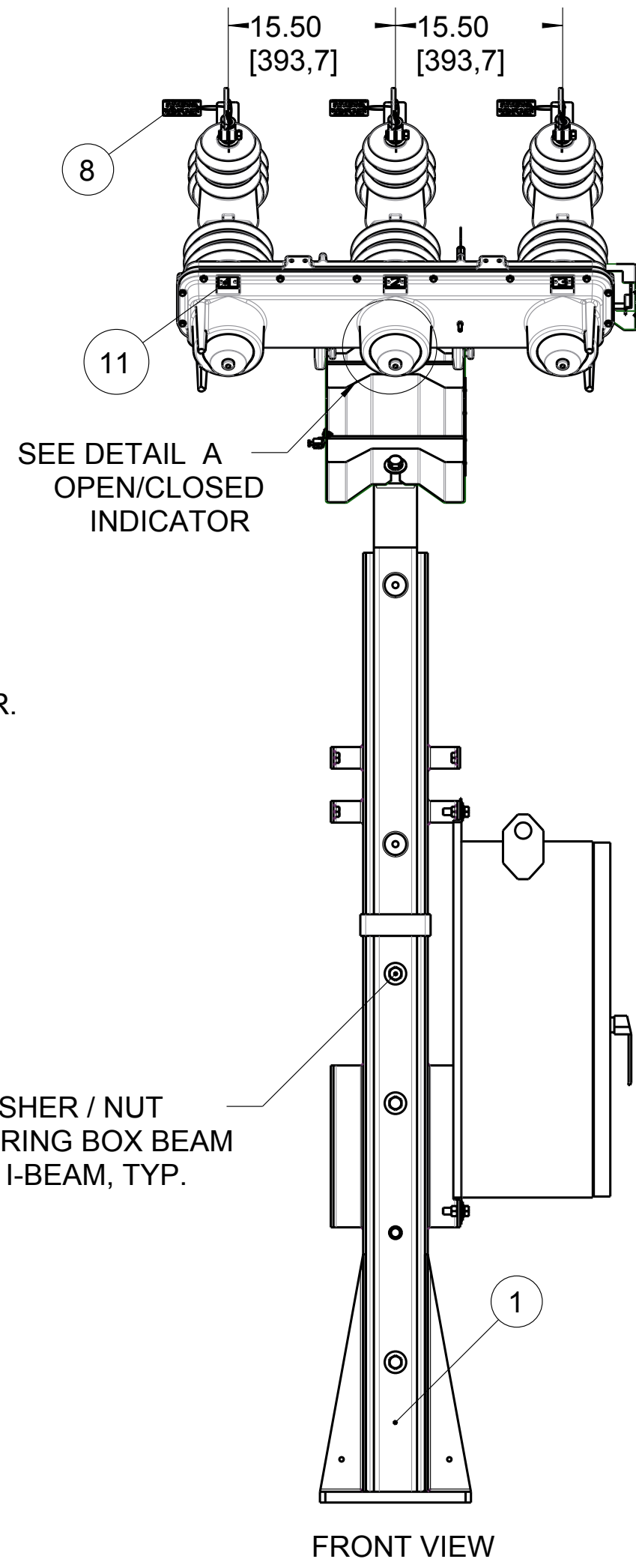
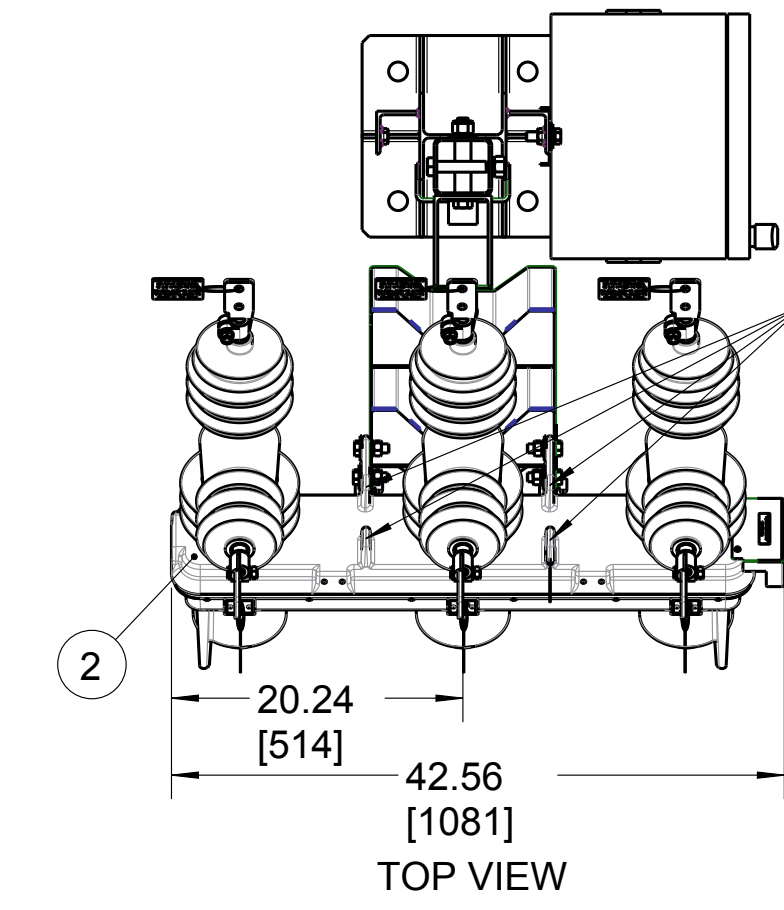
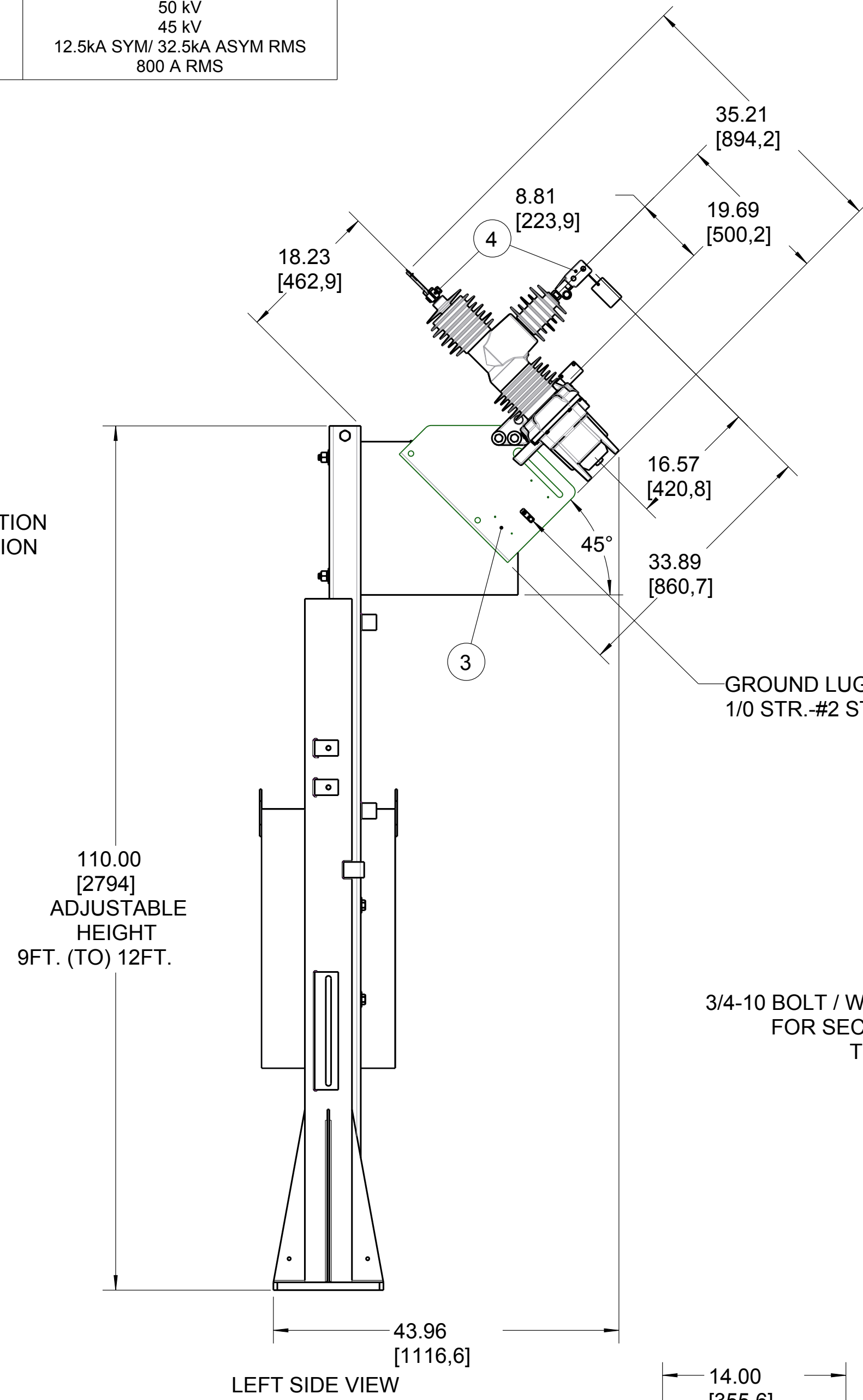
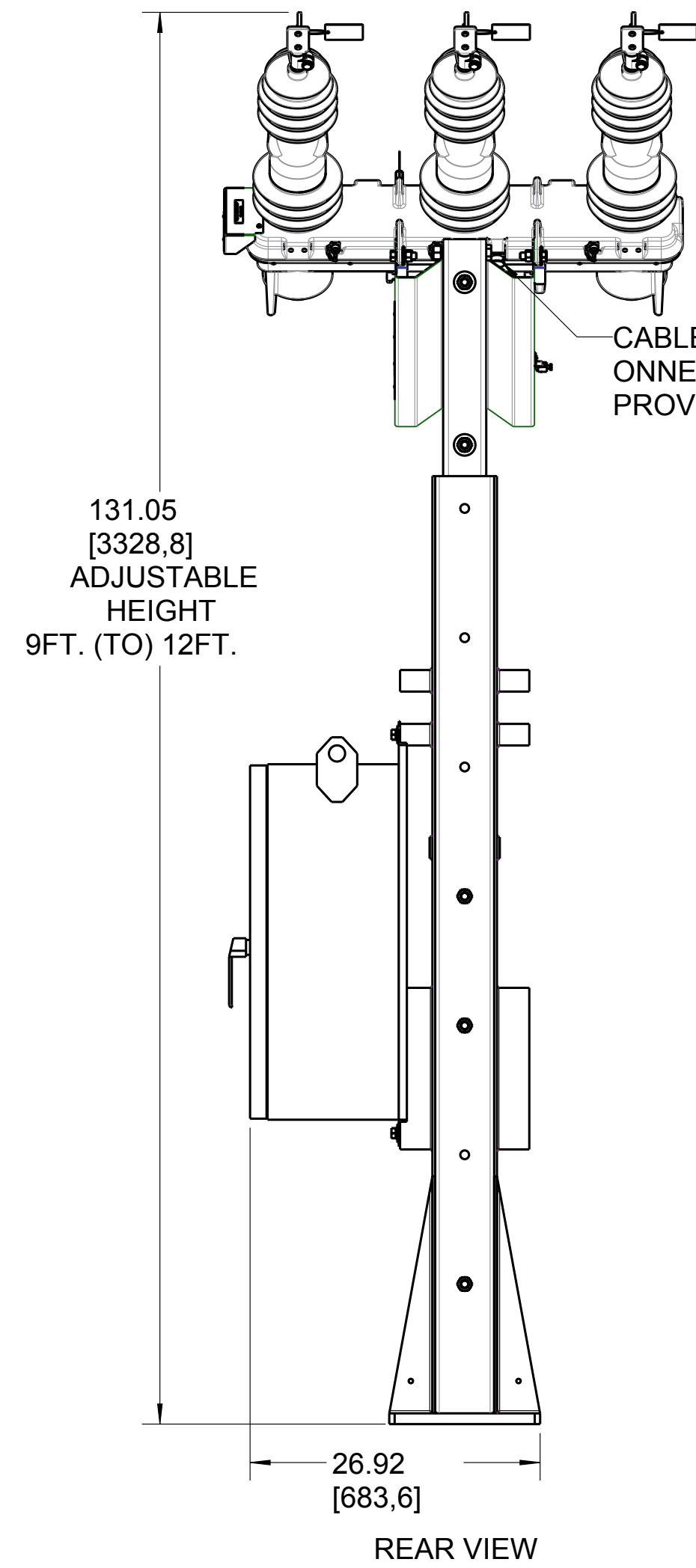
## FAULT INTERRUPTER CERTIFIED TEST AND PERFORMANCE

IEEE C37.60 - STANDARD FOR FAULT INTERRUPTERS

AMBIENT TEMPERATURE RANGE: -40 TO +65 DEGREES CENTIGRADE

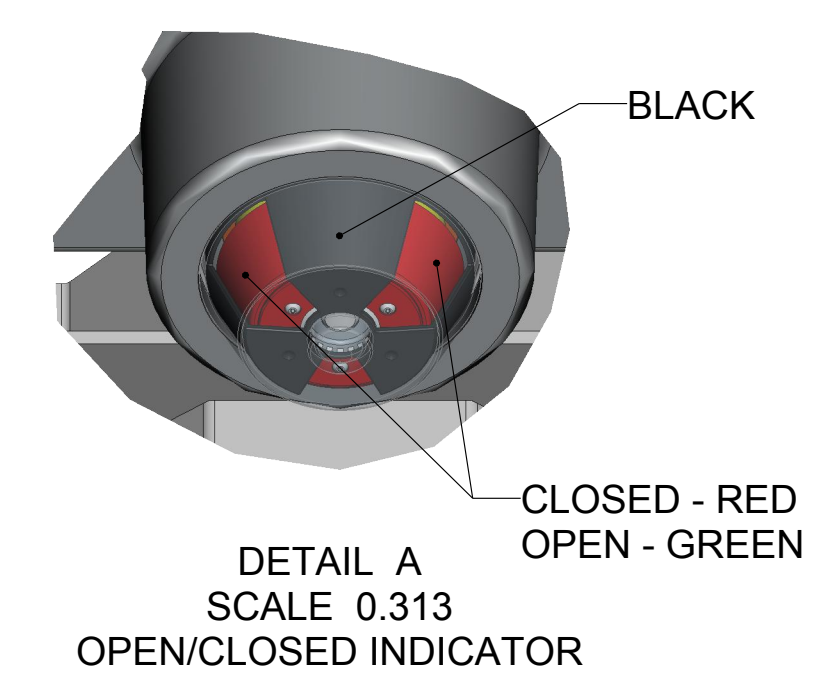
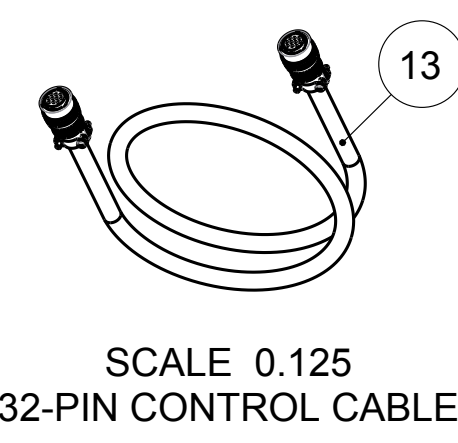
## FAULT INTERRUPTER RATINGS

RATED MAX. VOLTAGE	17.1 kV
FREQUENCY	50/60 Hz
BIL IMPULSE WITHSTAND	150 kV
POWER FREQUENCY WITHSTAND - DRY	50 kV
POWER FREQUENCY WITHSTAND - WET	45 kV
RATED INTERRUPTING FAULT MAKING CURRENT	12.5kA SYM/ 32.5kA ASYM RMS
RATED CONTINUOUS CURRENT	800 A RMS



- NOTES 15KV MVR3:
- 1) DIMENSIONS IN BRACKETS [XXX] ARE MILLIMETERS.
  - 2) MAXIMUM CANTILEVERED TERMINAL PAD LOAD OF 60 LBS. [27 KG.] PER PAD ALLOWABLE. HORIZONTAL CABLE TENSIONS PER PHASE TO BE OPPOSITE IN DIRECTION.
  - 3) WEIGHT= 208 LBS. [94.4 KG.]
  - 4) STANDARD POSITION AS SHOWN. TRIP POSITION SHOWN DOTTED.
  - 5) CONNECTION OF THE RECLOSER TO THE DESIGNATED LINE AND LOAD SIDE TERMINALS IS ONLY REQUIRED IF THE RECLOSER IS BEING USED WITH A CONTROL CONTAINING DIRECTIONAL OVER CURRENT CAPABILITY.
  - 6) CREEPAGE DISTANCE:  
 LINE TO GROUND = 41.50" [1054]  
 LOAD TO GROUND = 43.60" [1107]  
 LINE TO LOAD = 52.17" [1320]
  - 7) INTERRUPTER RATING = 12.5 KA
  - 8) BIL: LINE TO GND = 150KV  
 LINE TO LINE = 150KV
  - 9) RESISTIVE VOLTAGE SENSORS ARE INTEGRATED INTO THE MVR LOAD SIDE BUSHING AND HAVE PT RATIO OF 10,000:1.
  - 10) DUAL RATIO CT CAPABILITY 1000/500:1, 1000:1 IS STANDARD OFFERING, 500:1 REQUIRES ADDITIONAL JUMPER CABLE AS OPTIONAL ADD ON.
  - 11) SHIPS AS SUBASSEMBLIES.

QTY.	ITEM	DESCRIPTION
1	1	45° SUBSTATION MOUNTING POLE ASSEMBLY 9-12 FT.
1	2	15kV, 3PH MVR RECLOSER (STANDARD GREEN-OPEN/RED-CLOSED)
1	3	MVR 3PH POLE MOUNTING BRACKET (GALV)
6	4	2 HOLE NEMA PAD
1	5	BLOCK DIAGRAM - 651R R CONTROL, MVR
1	6	NAMEPLATE, RECLOSER
1	7	VOLTAGE TAG (15KV) ORANGE
6	8	TAG, MVR TERMINAL PAD (ROTATING & TORQUE)
1	9	VOLTAGE DECAL (15KV)
1	10	CURRENT DECAL 1000/500:1 CT
1	11	PHASE 1 - 3 DECALS (1 EA)
1	12	SEL 651R CONTROL (0651R22CXBA82A13X3N3XX)
1	13	32 PIN CONTROL CABLE (3188B0092G2) 20FT
1	14	IS-1335, IS-MVR INSTRUCTION MANUAL
1	15	IS-1463, SUB-STATION ADJ POLE INSTRUCTION MANUAL



THOMAS & BETTS, PROPRIETARY RIGHTS  
 BY ACCEPTANCE OF THIS DOCUMENT YOU AGREE THAT ALL RIGHTS TO THE DRAWINGS AND INFORMATION CONTAINED IN IT, AS WELL AS THE SUBJECT MATTER AND ALL PROPRIETARY AND NOVEL FEATURES DISCLOSED, ARE OWNED BY THOMAS & BETTS CORPORATION (THE COMPANY) AND A MEMBER OF THE ABB GROUP AND THAT DEVICES EMBODYING SUCH FEATURES OR INFORMATION DERIVED FROM THESE DRAWINGS WILL NOT BE MANUFACTURED BY OR FOR YOU OR DISCLOSED TO OTHERS WITHOUT THE PRIOR EXPRESS WRITTEN CONSENT OF THE COMPANY. THESE DRAWINGS ARE NOT TO BE COPIED OR REPRODUCED OR DISCLOSED TO OTHERS WITHOUT THE PRIOR EXPRESS WRITTEN CONSENT OF THE COMPANY. ALL DRAWINGS AND INFORMATION ARE TO BE RETURNED TO UPON DEMAND OR UPON COMPLETION OF PURPOSE FOR WHICH LENT. COPYRIGHT THOMAS & BETTS CORP. ALL RIGHTS RESERVED. ALL OTHER TRADEMARKS ARE THE PROPERTY OF THEIR RESPECTIVE OWNERS.

DRAWING TYPE:  PRELIMINARY  FINAL

NOTE: FINAL DRAWING REQUIRES INFORMATION TO BE FILLED OUT BELOW AND RETURNED TO ENGINEERING.

APPROVED: (CHECK ONE)  AS IS  PER MARK UP  NOT APPROVED REVISE

COMPANY NAME \_\_\_\_\_

NAME (PLEASE PRINT) \_\_\_\_\_

SIGNATURE \_\_\_\_\_ DATE \_\_\_\_\_

ALL DIMENSIONS ON THIS DWG ARE IN UNITS AS CHECKED BELOW

ENGLISH  METRIC

MATERIAL: SEE BoM

FINISH: N/A

DRAWN: R.CARTELLI DATE: 03/21/18

CHECKED: DATE

APPROVED: N. Johansson DATE: 03/21/18

THIRD ANGLE PROJECTION

**Thomas & Betts**  
 A MEMBER OF THE ABB GROUP  
 8155 TB BOULEVARD  
 MEMPHIS, TN 38125  
 PHONE: (800) 888-0211, FAX: (800) 888-0690

elastimold®

DRAWING TITLE: 45 DEGREE MVR 3PH, 15KV, 651 CONTROL, SUB-STATION MOUNTING POLE

A	CREATED MVR3-00061	RC	NJ	03/21/18	NEXT ASSY	SCALE	SHT. SIZE	SHT. No.	DRAWING NUMBER
REV	DESCRIPTION	BY	CHK	DATE	3188D0605	0.125	D	1 OF 2	R31FXXXEBX2XXXSNS1A8

# CATALOG NO.: R31FXXXEBX2XXXSNS1A8

DRAWING TYPE:  PRELIMINARY  FINAL

NOTE: FINAL DRAWING REQUIRES INFORMATION TO BE FILLED OUT BELOW AND RETURNED TO ENGINEERING.

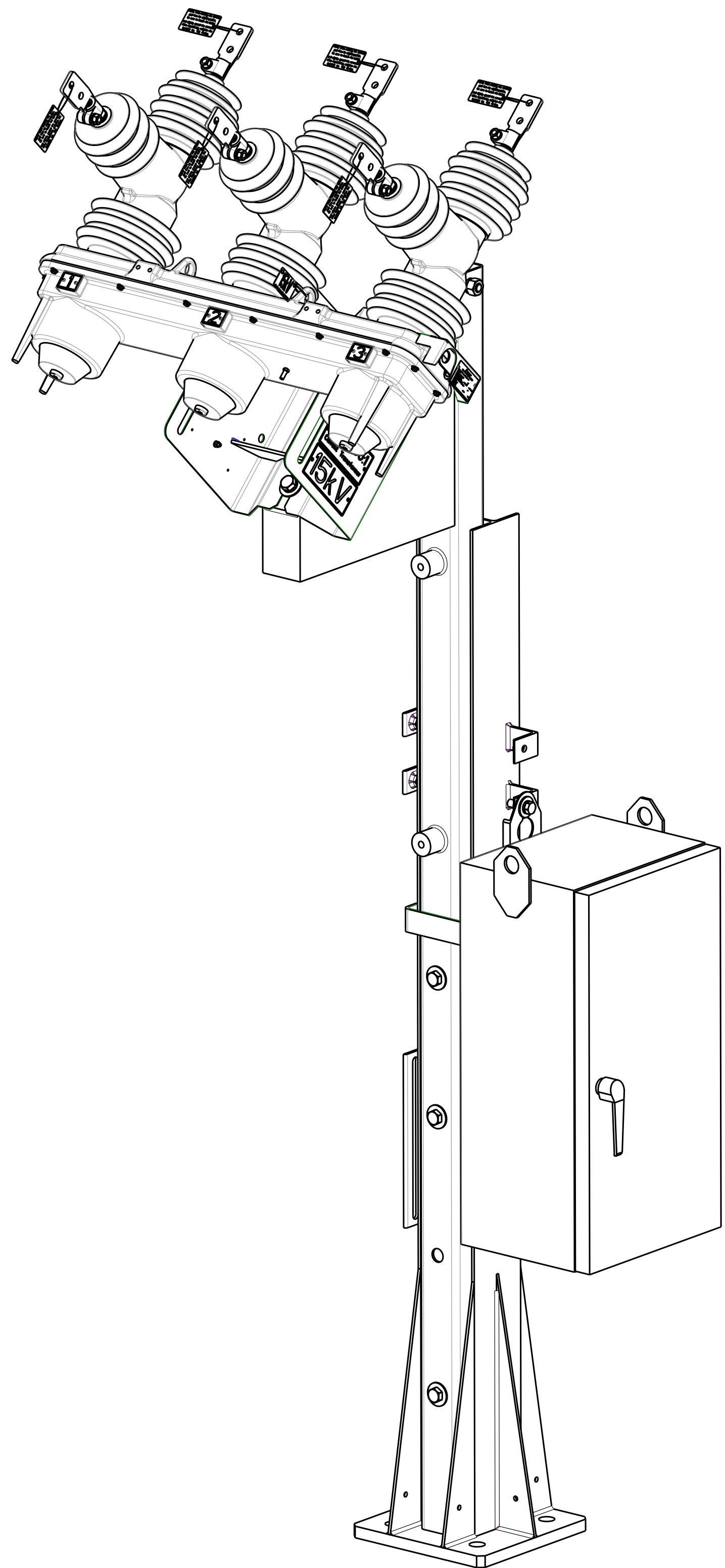
APPROVED: (CHECK ONE)  AS IS  PER MARK UP  NOT APPROVED REVISE

---

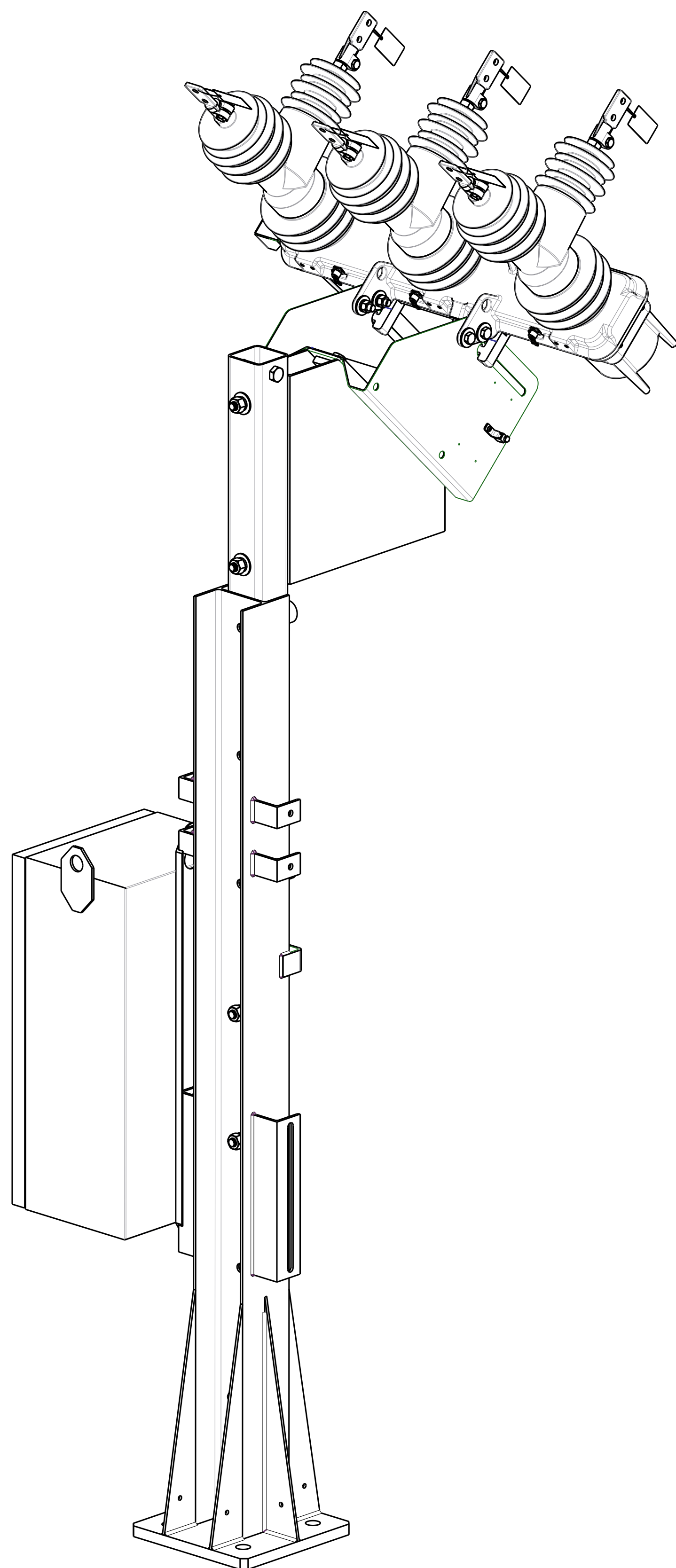
COMPANY NAME \_\_\_\_\_

NAME (PLEASE PRINT) \_\_\_\_\_

SIGNATURE \_\_\_\_\_ DATE \_\_\_\_\_



3D FRONT VIEW



3D REAR VIEW

THOMAS & BETTS, PROPRIETARY RIGHTS  
 BY ACCEPTANCE OF THIS DOCUMENT YOU AGREE THAT ALL RIGHTS TO THE DRAWINGS AND INFORMATION CONTAINED IN IT, AS WELL AS THE SUBJECT MATTER AND ALL PROPRIETARY AND NOVEL FEATURES DISCLOSED, ARE OWNED BY THOMAS & BETTS CORPORATION (THE COMPANY) AND A MEMBER OF THE ABB GROUP AND THAT DEVICES EMBODYING SUCH FEATURES OR INFORMATION DERIVED FROM THESE DRAWINGS WILL NOT BE MANUFACTURED BY OR FOR YOU OR DISCLOSED TO OTHERS WITHOUT THE PRIOR EXPRESS WRITTEN CONSENT OF THE COMPANY. THESE DRAWINGS ARE NOT TO BE COPIED OR REPRODUCED OR DISCLOSED TO OTHERS WITHOUT THE PRIOR EXPRESS WRITTEN CONSENT OF THE COMPANY. ALL DRAWINGS AND INFORMATION ARE TO BE RETURNED TO UPON DEMAND OR UPON COMPLETION OF PURPOSE FOR WHICH LENT. COPYRIGHT THOMAS & BETTS CORP. ALL RIGHTS RESERVED. ALL OTHER TRADEMARKS ARE THE PROPERTY OF THEIR RESPECTIVE OWNERS.

ALL DIMENSIONS ON THIS DWG ARE IN UNITS AS CHECKED BELOW

ENGLISH  METRIC  X

THIRD ANGLE PROJECTION

MATERIAL: SEE BoM

FINISH: N/A

DRAWN: R. CARTELLI DATE: 03/21/18

CHECKED: N. JOHANSSON DATE: 03/21/18

APPROVED: N. JOHANSSON DATE: 03/21/18

DRAWING TITLE: 45 DEGREE MVR 3PH, 15KV, 651 CONTROL, SUB-STATION MOUNTING POLE

Thomas & Betts  
 A MEMBER OF THE ABB GROUP  
 8155 TB BOULEVARD  
 MEMPHIS, TN 38125  
 PHONE: (800) 888-0211  
 FAX: (800) 888-0690

elastimold

SCALE: 0.125 SHT. SIZE: D SHT. No: 2 OF 2 DRAWING NUMBER: R31FXXXEBX2XXXSNS1A8

A	SEE SHEET 1	RC	NJ	03/21/18	NEXT ASSY	3188D0605
REV	DESCRIPTION	BY	CHK	DATE		